

VAL 1/2 E6 C CD

LEVER Tap Range Lever Basin Taps Eco6 With Ceramic Disc Valves Chrome



Features:

- Supplied with 3" (77mm) Metal Lever Handles
- Supplied with metal backnuts
- Chrome plated to BS EN 248
- Product supplied with 2 x 3 litre per minute flow regulators which can be inserted into the threaded tail to reduce water consumption and increase water efficiency (Flow Regulator accurate +/- 10%)

Product Certifications:



WRAS Cert. Number: 1909901
WRAS Expiry Date: 30/09/2024



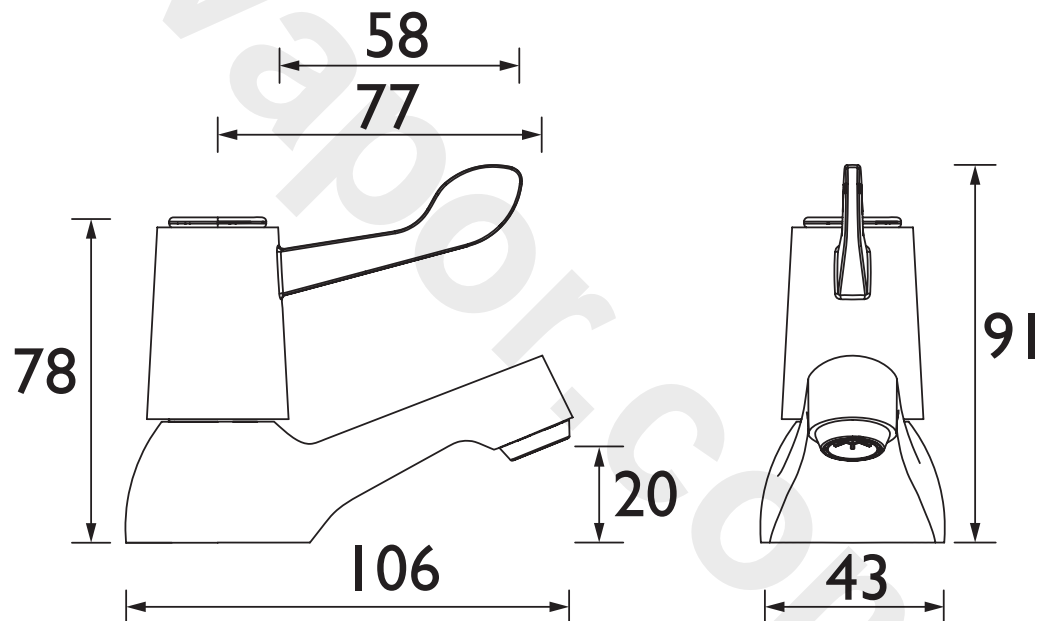
For more products, visit our website:
<http://www.bristan.com>



Specification

Product Type:	Bathroom Tap
Main Construction Material:	Brass
Mount Type:	Deck Mounted
Handle Type:	3" Lever Handles
Connection Inlet:	1/2" BSP
Connection Outlet:	Aerator
Number of Tap Holes:	2
Valve/Cartridge Type:	1/2" Ceramic Disc Valve
Plumbing System Requirements:	Suitable for all plumbing systems
Minimum Dynamic Pressure:	0.2 Bar
Maximum Dynamic Pressure:	5.0 Bar
Maximum Hot Water Temperature: °C	65
Maximum Static Pressure: (bar)	10
Flow Type:	Yes
Isolation Included:	No

Dimensions (measurements in mm)



Flow Rates (l/min)

System Pressure (bar)	0.2	0.5	1	2	3	5
VAL 1/2 E6 C CD	6	6	6	6	6	6

TECHNICAL
DATA
SHEET



BRISTAN